






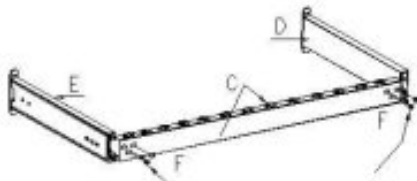


937.118 /124 / 130 Pull Out Pants Rack Min. depth 14" cabinet

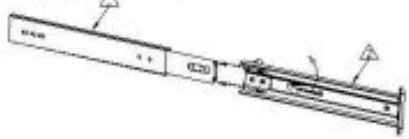
<p>A</p>  <p>*2PCS</p>	<p>B</p>  <table border="1" data-bbox="738 472 917 546"> <tr> <td>937.118</td> <td>18"</td> <td>*9PCS</td> </tr> <tr> <td>937.124</td> <td>24"</td> <td>*11PCS</td> </tr> <tr> <td>937.130</td> <td>30"</td> <td>*15PCS</td> </tr> </table>	937.118	18"	*9PCS	937.124	24"	*11PCS	937.130	30"	*15PCS	<p>C</p>  <p>*1SET</p>
937.118	18"	*9PCS									
937.124	24"	*11PCS									
937.130	30"	*15PCS									
<p>D Right Slide</p>  <p>*1SET</p>	<p>E Left Slide</p>  <p>*1SET</p>	<p>F</p>  <p>*6PCS</p>	<p>G</p>  <p>*6PCS</p>								

1.

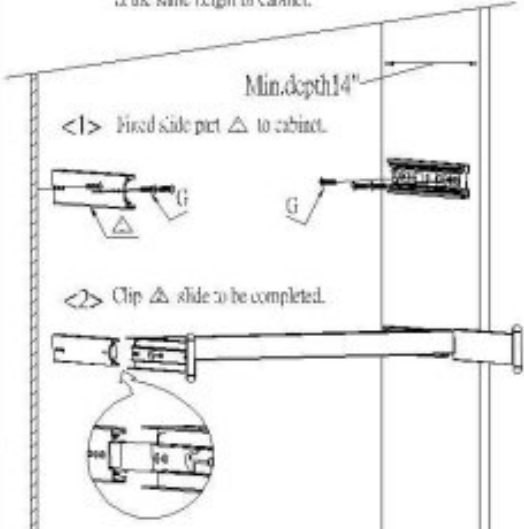
<1> Assemble "D" & "E" to C By "F" Screws.



<2> Disassemble "D" & "E" Slides into two parts Δ , Δ as drawing indicated.



2. NOTE: Mount right and left sides at the same height of cabinet.

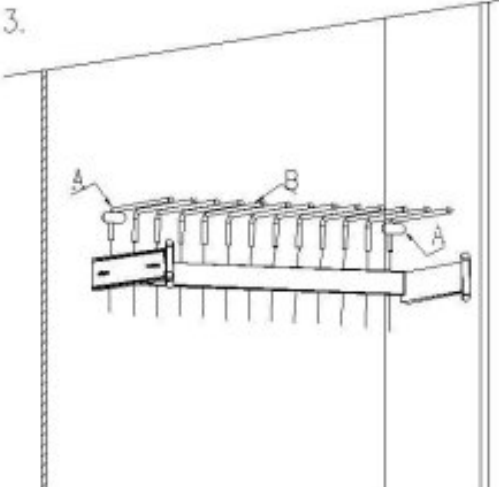


Min. depth 14"

<1> fixed side part Δ to cabinet.

<2> Clip Δ slide to be completed.

3.



4.

